

SONY®



PS3™

PlayStation 3

DUALSHOCK®3 Charging Station

Instruction Manual

CECH-ZDC1A / CECH-ZDC1B

4-277-987-11(1)

WARNING

NOTICE FOR CUSTOMERS IN THE UNITED KINGDOM

A moulded plug complying with BS1363 is fitted to this equipment for your safety and convenience. Should the fuse in the plug supplied need to be replaced, a 5AMP fuse approved by ASTA or BSI to BS1362, (i.e., marked with ⚡ or ⚡ mark) must be used. If the plug supplied with this equipment has a detachable fuse cover, be sure to attach the fuse cover after you change the fuse. Never use the plug without the fuse cover. If you should lose the fuse cover, please contact your nearest Sony service station.

The manufacturer of this product is Sony Computer Entertainment Inc., 1-7-1 Konan, Minato-ku, Tokyo 108-0075 Japan.

The Authorised Representative for EMC and product safety in Europe is Sony Deutschland GmbH, Hedelfinger Strasse 61, 70327 Stuttgart, Germany.

Distributed in Europe by Sony Computer Entertainment Europe Ltd, 10 Great Marlborough Street, London, W1F 7LP, United Kingdom.

Precautions

Before using this product, carefully read this manual and retain it for future reference. Read also the instructions for the PlayStation®3 system.

Safety

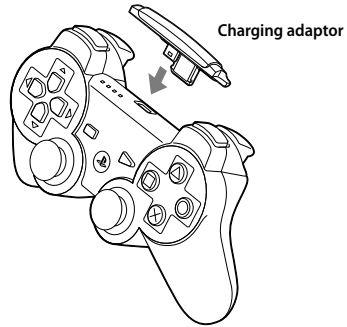
- For your safety, only use the AC adaptor and AC power cord included with this product. Other types may cause fire, electrical shock or malfunction.
- Do not connect the AC power cord to a voltage transformer or inverter. Connecting the AC power cord to a voltage transformer for overseas travel or an inverter for use in an automobile may cause heat to build up in the AC adaptor and may cause burns or a malfunction.
- Do not allow liquid or small particles to get into the product. If this happens, stop use and disconnect it from the electrical outlet immediately.
- Never disassemble or modify the product.
- Do not expose the product to high temperatures, high humidity, or direct sunlight.
- Do not leave the product in a car with the windows closed, particularly in hot weather.
- Do not expose the product to dust, smoke or steam.
- Do not touch the product with wet hands.
- Unplug the AC power cord from the electrical outlet before cleaning or when you do not intend to use the product for an extended period of time.
- Keep this product out of the reach of small children. Small children may swallow small parts or may wrap the cables around themselves, which may inflict injury or cause an accident or a malfunction.
- Do not touch or insert foreign objects into the connectors of the charging station.
- Do not swing the charging station, AC adaptor or the AC power cord around by their cables.

Use and handling

- Do not touch the charging port connectors or insert foreign objects into the charging port.
- Do not put heavy objects on the product.
- Do not throw or drop the product, or otherwise expose it to strong physical impact.
- Do not place this product on an unstable surface or leave on the floor.
- The product and its parts are made from metal and plastic materials. When disposing of the product, follow local regulations for the proper disposal of such materials.
- To clean this product, use a soft, dry cloth. Do not use solvents or other chemicals. Do not wipe with a chemically-treated cleaning cloth.

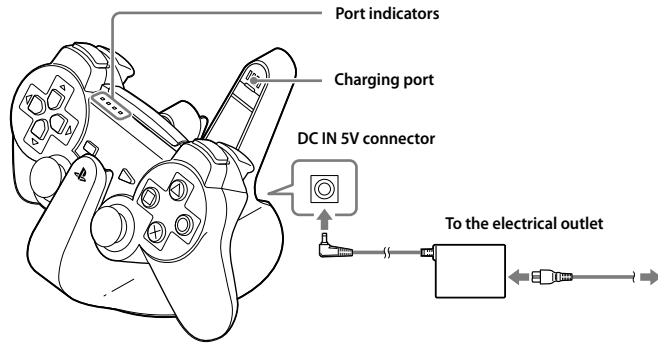
Charging

- 1 Insert the charging adaptor into the USB connector on the DUALSHOCK®3/SIXAXIS® wireless controller (both sold separately).



- 2 Connect the wireless controller to the charging station.

Gently press the wireless controller into the charging port until you hear a "click". The port indicators on the controller will start to flash slowly and charging will begin. The port indicators stop flashing when charging is complete.



Removing

Tilt the wireless controller towards you and disconnect it from the charging station.

Hint

You can use the wireless controller without removing the charging adaptor.

Estimating the battery charging time

It takes approximately 2 hours and 30 minutes to charge the wireless controller when the battery has no remaining charge.

Specifications

| | |
|--|--|
| Input | Charging station: DC 5 V AC adaptor: AC 100-240 V, 50/60 Hz |
| Output | AC adaptor: DC 5 V, 1500 mA |
| External dimensions (w × h × d) | Charging station: Approx. 111.0 × 81.0 × 151.5 mm Charging adaptor: Approx. 62.5 × 24.0 × 21.5 mm |
| Mass | Charging station: Approx. 221 g Charging adaptor: Approx. 6 g |
| Operating temperature | 5°C - 35°C |
| Supplied items | Charging adaptors (2), AC adaptor (1), AC power cord (1), Instruction manual (this document) (1) |

Design and specifications are subject to change without notice.

GUARANTEE

This product is covered for 12 months from date of purchase by the manufacturer's warranty set out in the PS3™ system manual.

Please refer to the PS3™ system manual for full details.



Where you see this symbol on any of our electrical products or packaging, it indicates that the relevant electrical product should not be disposed of as general household waste in Europe. To ensure the correct waste treatment of the product, please dispose of it in accordance with any applicable local laws or requirements for disposal of electrical equipment. In so doing, you will help to conserve natural resources and improve standards of environmental protection in treatment and disposal of electrical waste.

"PS", "PlayStation", "DUALSHOCK", "SIXAXIS" and "△ ○ × □" are registered trademarks, and "PS3" is a trademark of Sony Computer Entertainment Inc.

"SONY" and "PS" are registered trademarks of Sony Corporation.



eu.playstation.com/ps3

